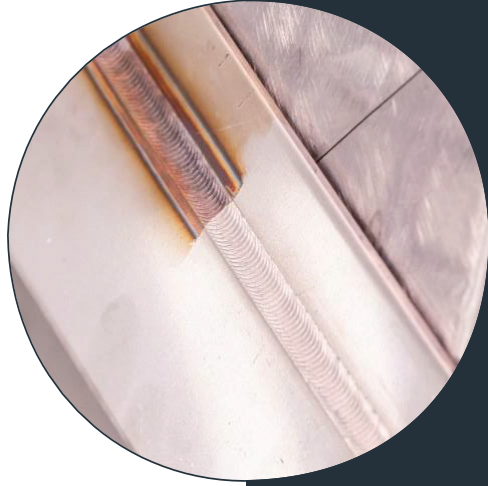


3 Different Processes



Cleaning (AC-Current)

The electrochemical **cleaning** process uses AC-current and electrolyte liquid to remove tarnish after welding.



Polishing (DC-Current)

Electrochemical **polishing** is a process that removes part of the base material from the workpiece and brightens the weld seam.



Printing

For **marking** stainless steel permanently you need in addition:

- Printing foil
- Special electrolyte liquid

MagicCleaner 150

Highlights

- Light weight 4,5kg
- Ready to use in 2 steps

Existing certifications

CE, UKCA, UL/CSA, CCC, EAC, AUS/NZ

Small cleaning torch

- Manual electrolyte dosing
- Mountable 0,1 liter tube

Torch holder

For easy pad mounting



Easy to use

- Select the right process
- Power adjustment

Housing

- Proven housing
- IP23-Protection



MagicCleaning

MagicPolishing

MagicPrinting

MagicCleaner 300

Powerful cleaning torch

Integrated compressed air blowing system
(Patent)

Easy to use

- Select the right process
- Power adjustment
- Integrated tank (1,8 liter)
- Liquid pump (manual/automatic)

Inverter technology inside

- Weight reduction
- Energy saving

Housing

- Proven housing
- IP23-Protection

Highlights

- Ready to use in 3 steps
- Integrated tank (1,8 liter)
- Torch with compressed air blowing system



MagicCleaning

MagicPolishing

MagicPrinting

Existing certifications

CE, UKCA, UL/CSA, CCC, EAC, AUS/NZ

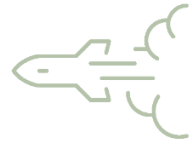
Product Benefits



Ready to use in max. 3 steps



3 processes are available



Inverter based cleaning technology



Technical Data

	Magic Cleaner 150	Magic Cleaner 300
Mains voltage -15 / +10%	230V / 50/60 Hz or 100 - 110V / 50-60 Hz	230V / 50/60 Hz or 100 - 110V / 50-60 Hz
Mains fuse	6,3 A	10 A
Maximum primary power	500 VA	1000 VA
Output current	0 - 15 A	0 - 30 A
Output voltage	0 - 30 V	0 - 30 V
Output power	450 W	900 W
Open circuit voltage	30 V	30 V
Liquid dosing rate	Manual	1 - 3,6 l/h
Liquid tank	100ml Tube	1,8 l
Protection class	IP 23	IP 23
Dimensions l x w x h	365 / 130 / 285 mm	558 / 210 / 369 mm
Weight	4,5 kg	14 kg

Main Differences

	NEW		OLD
	MagicCleaner 150	MagicCleaner 300	MagicCleaner standalone
Cleaning AC	✓	✓	✓
Polishing DC	✓	✓	✓
Printing (AC & DC)	✓	✓	✓
Integrated pump	--	✓	✓
Output current	15A	30A	20A
Cleaning torch MC150	✓	✓	--
Cleaning torch MC300	--	✓	--
Cleaning liquid (capacity)	100ml tube	1,8l	1,5l
ToolCase 60	✓	--	--
ToolCase 120	--	✓	--
Trolley available	--	✓	--

Variants in Detail



MagicCleaner 150

Mains plug EF 4,075,253
Mains plug CN 4,075,253,005
np - without mains plug 4,075,253,008

MagicCleaner 150 MultiVoltage

Mains plug B 4,075,253,631
np - without mains plug 4,075,253,638



MagicCleaner 300

Mains plug EF 4,075,254
Mains plug CN 4,075,254,005
np - without mains plug 4,075,254,008

MagicCleaner 300 MultiVoltage

Mains plug B 4,075,254,631
np - without mains plug 4,075,254,638

Overview Package MC 150



Torch holder MC150
42,0510,0601



Adapter for brush 35x63mm
42,0510,0603



Ground cable 10mm² 3m
42,0510,0599



Current cable 2m
42,0510,0602



Cleaning torch MC150
42,0510,0600



Graphit-electrode 22mm
42,0510,0500



Graphit-electrode 10mm
42,0510,0506



Hex-wrench 2,5mm
42,0510,0376



Cleaning-/Polishing felt 22mm
42,0510,0501



Cleaning-/Polishing felt 10mm
42,0510,0507



Carbon brush MC150
42,0510,0510



Connection part MC150
42,0510,0511

Overview Package MC 300



Torch holder
MC150
42,0510,0601



Adapter for
brush 35x63mm
42,0510,0603



Carbon brush
MC150
42,0510,0510



Connection
part MC150
42,0510,0511



Graphit-electrode
22mm
42,0510,0500



Graphit-electrode
10mm
42,0510,0506



Cleaning-/Polishing
felt 22mm
42,0510,0501



Cleaning-/Polishing
felt 10mm
42,0510,0507



Ground cable
10mm² 3m
42,0510,0599



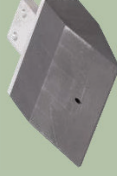
Tungsten-electrode
22mm
42,0510,0520



Fast Bond
Felt 22mm
42,0510,0521



Torch holder
MC300
42,0510,0651



Graphit-electrode
45mm
42,0510,0524



Big bond felt
93x46
42,0510,0525



Hex-wrench
2,5mm
42,0510,0376



Mounting ring
19x23x10
42,0510,0514



Mounting ring
36,81x3,53
42,0510,0532



Carbon brush
small MC 300
42,0510,0529



Connection
part MC 300
42,0510,0531



Sealing ring
3x1mm
42,0510,0722

Torch Attachments



Graphite electrode

Using for linear movement:

- Linear welds
- Corner joints
- T-joints
- Butt welds



Tungsten electrode

Using for linear movement:

- Linear welds
- Corner joints
- T-joints
- Butt welds



Carbon fiber brush

Typical applications:

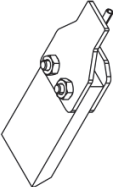
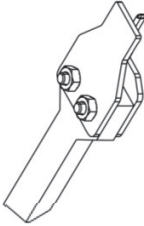
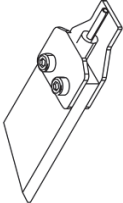
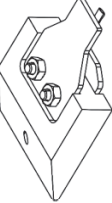
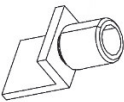
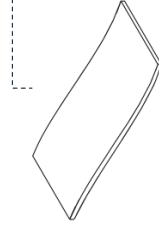



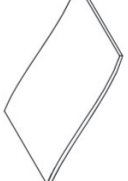




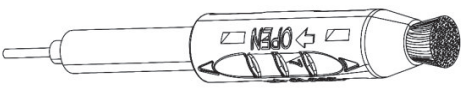
- Welded pipes,
- Undercuts,
- Very sharp corners
- Complex shapes

Cleaning Torch MC 150

 Magic Cleaning

 Magic Cleaning

 Magic Polishing

	42,0510,0500		42,0510,0508		42,0510,0502		42,0510,0504		42,0510,0511
	42,0510,0521		42,0510,0501		42,0510,0507		42,0510,0503		42,0510,0505
	42,0510,0514		42,0510,0513		42,0510,0506		42,0510,0509		42,0510,0510
			PTFE Ring						

Accessories used to clean/polish **large workpieces**

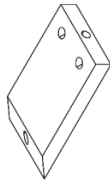
Accessories used to clean/polish small workpieces

Carbon brush is used to clean **corners** or areas **difficult to reach** (tubes).

Cleaning Torch MC 300

 MagicCleaning

 MagicPolishing



42,0510,0520



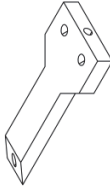
42,0510,0521

FAST BOND is mostly used pad. This pad is made with very resistant material. For both cleaning and polishing.



42,0510,0514

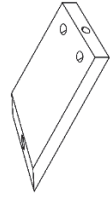
PTFE Ring



42,0510,0526



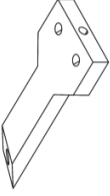
42,0510,0507



42,0510,0522



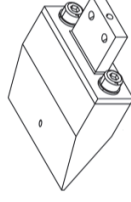
42,0510,0503



42,0510,0528



42,0510,0509



42,0510,0524



42,0510,0525

mostly used for **cleaning operations**.



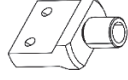
42,0510,0513

PTFE Ring

Accessories used to clean/polish **large workpieces**.

 MagicCleaning





42,0510,0531



42,0510,0529

Carbon brush is used to clean **corners** or areas **difficult to reach** (tubes).



42,0510,0530

Flat Carbon brush is used to clean **large workpieces**.

Print Set (Optional)

For printing on stainless steel, the print set (42,0510,0540) is required:



Existing print foils can still be used – see pricelist



Overview Liquids

Cleaning/polishing red



Using for:

- Intensive & highly demanding cleaning
- Fast cleaning
- Polishing

Classification:



Cleaning blue



Using for:

- Normal Cleaning operation
- Lower CLP classification
- Easier to store and transport

Classification:



Printing



Using for:

- Printing operation

Classification:



Neutralizer



Using for:

- Neutralizing the surface after electro-chemical process

Classification:

EU: -

USA:

MX,BRA,UK:



Overview Liquids

Cleaning/Polishing Liquids MagicCleaner 150	
42,0510,0380	Cleaning/Polishing red 0,1L MC 150
42,0510,0381	Cleaning blue 0,1L MC 150
Cleaning/Polishing Liquids MagicCleaner 300	
42,0510,0382	Cleaning/Polishing red 1,0L MC 300
42,0510,0384	Cleaning/Polishing red 5,0L MC 300
42,0510,0387	Cleaning blue 1,0L MC 300
42,0510,0388	Cleaning blue 5,0L MC 300
Neutralization MagicCleaner 150/300	
42,0510,0385	Neutralizer 1,0L MC 150/300
42,0510,0386	Neutralizer 5,0L MC 150/300
Print Liquids MagicCleaner 150/300	
42,0510,0390	Print Electrolyte Black 0,1L
42,0510,0391	Print Electrolyte White 0,1L

More information you will find in the safety datasheets ...



www.fronius.com/magiccleaner

